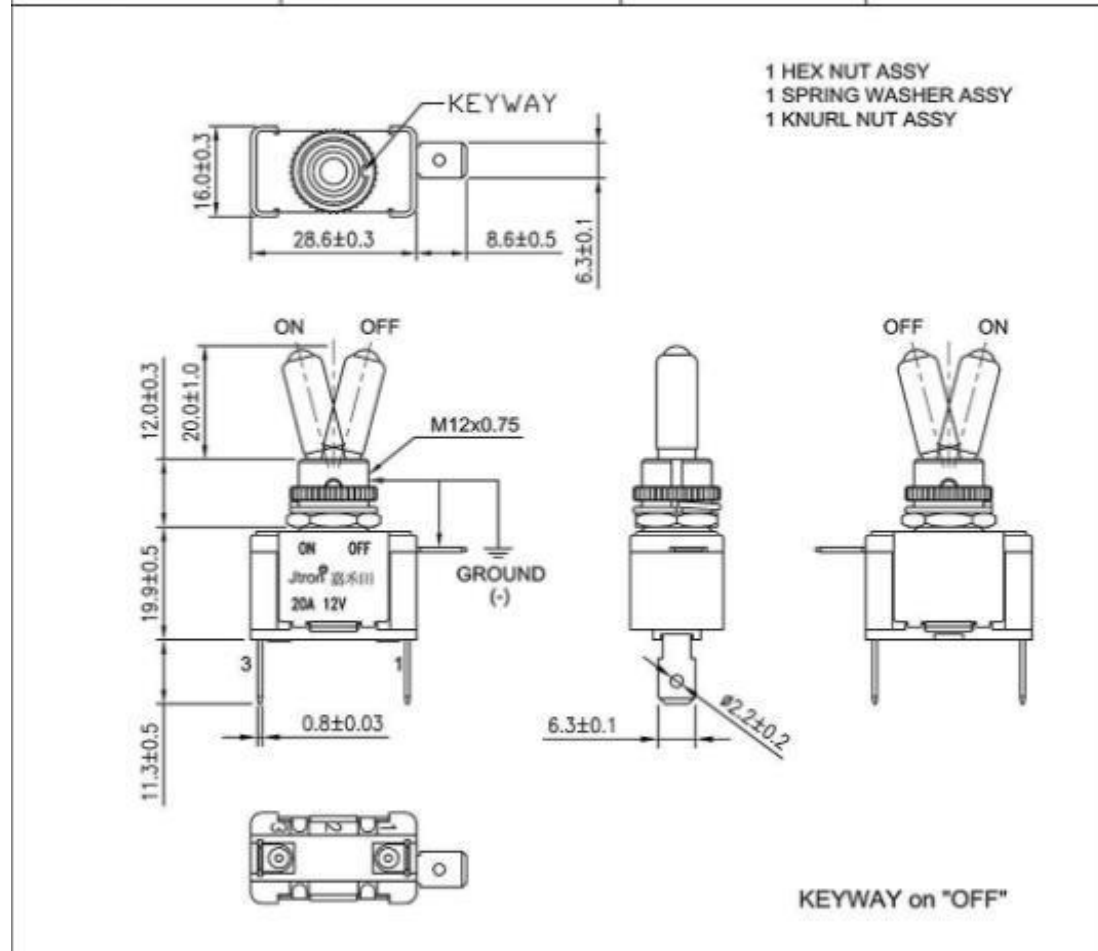


Rating	20A 12V DC	Mounting Hole	Circuit Diagram
Contact Resistance	50m ohm Max.		
Insulation Resistance	DC 500V 100M ohm Min.		
Dielectric Strength	AC 1500V 1 minute		
Operation Temperature	-20°C~85°C		
Switch Function	3P SPST ON-OFF (LED)		
LED Color	Red		



						△
						△
Date	Name	Description				NO
Drawn	Checked	Approved	SCI BOM NO	1813104	Model Name	TOGGLE SWITCH
Ruby			Customer No.		Model No.	
11/19/15			Unit	mm	ShenZhen JiaHeTian Technology Co., Ltd.	Rev. X1