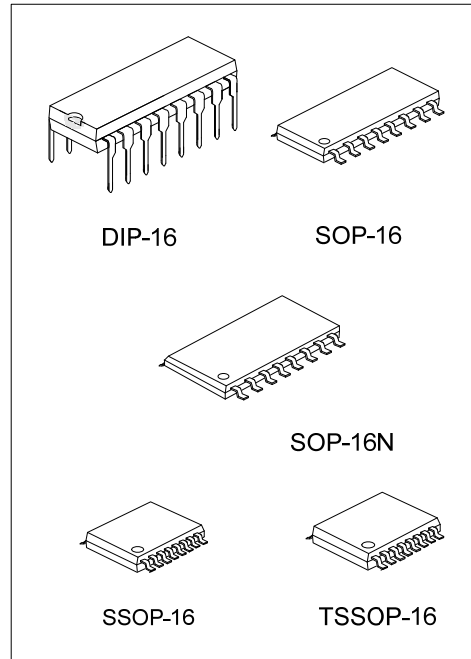




U74HC595A

CMOS IC

8-BIT SERIAL-IN SHIFT REGISTER WITH LATCHED 3-STATE PARALLEL OUTPUTS, PROVIDING SERIAL OUTPUT



■ DESCRIPTION

The UTC **74HC595A** contains an 8-bit register with asynchronous reset input and an 8-bit latch with output. The Serial Data Input (SER) will shift into the internal shift register during every LOW-to-HIGH transition on the Shift Clock. The latch will latch the 8-bit data from the shift register during the LOW-to-HIGH transition on the Latch Clock. The shift register also provides a serial output.

■ FEATURES

- * Operation Voltage Range: 2~6V
- * High Noise Immunity
- * Output Compatibility with CMOS and TTL
- * Specified from -40 ~ +125°C

■ ORDERING INFORMATION

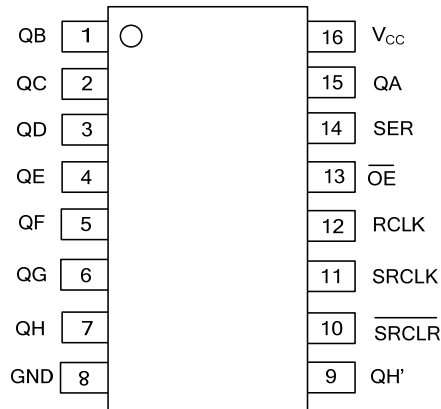
Ordering Number		Package	Packing
Lead Free	Halogen Free		
U74HC595AL-D16-T	U74HC595AG-D16-T	DIP-16	Tube
U74HC595AL-S16-R	U74HC595AG-S16-R	SOP-16	Tape Reel
U74HC595AL-S16N-R	U74HC595AG-S16N-R	SOP-16N	Tape Reel
U74HC595AL-R16-R	U74HC595AG-R16-R	SSOP-16	Tape Reel
U74HC595AL-P16-R	U74HC595AG-P16-R	TSSOP-16	Tape Reel

<p>U74HC595AG-D16-T</p>	<p>(1) T: Tube, R: Tape Reel (2) D16: DIP-16, S16: SOP-16, S16N: SOP-16N R16: SSOP-16, P16: TSSOP-16 (3) G: Halogen Free and Lead Free, L: Lead Free</p>
-------------------------	---

■ MARKING

DIP-16	SOP-16 / SOP-16N / SSOP-16 / TSSOP-16
<p>Date Code UTC □□□□ L: Lead Free G: Halogen Free Lot Code</p>	<p>Date Code L: Lead Free G: Halogen Free Lot Code</p>

■ PIN CONFIGURATION

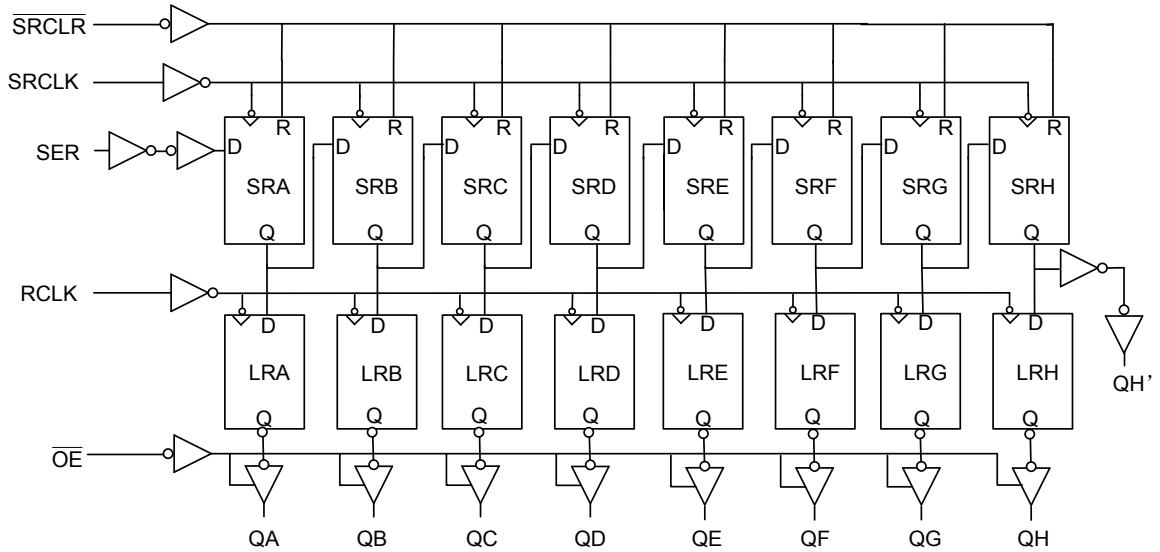


■ FUNCTION TABLE

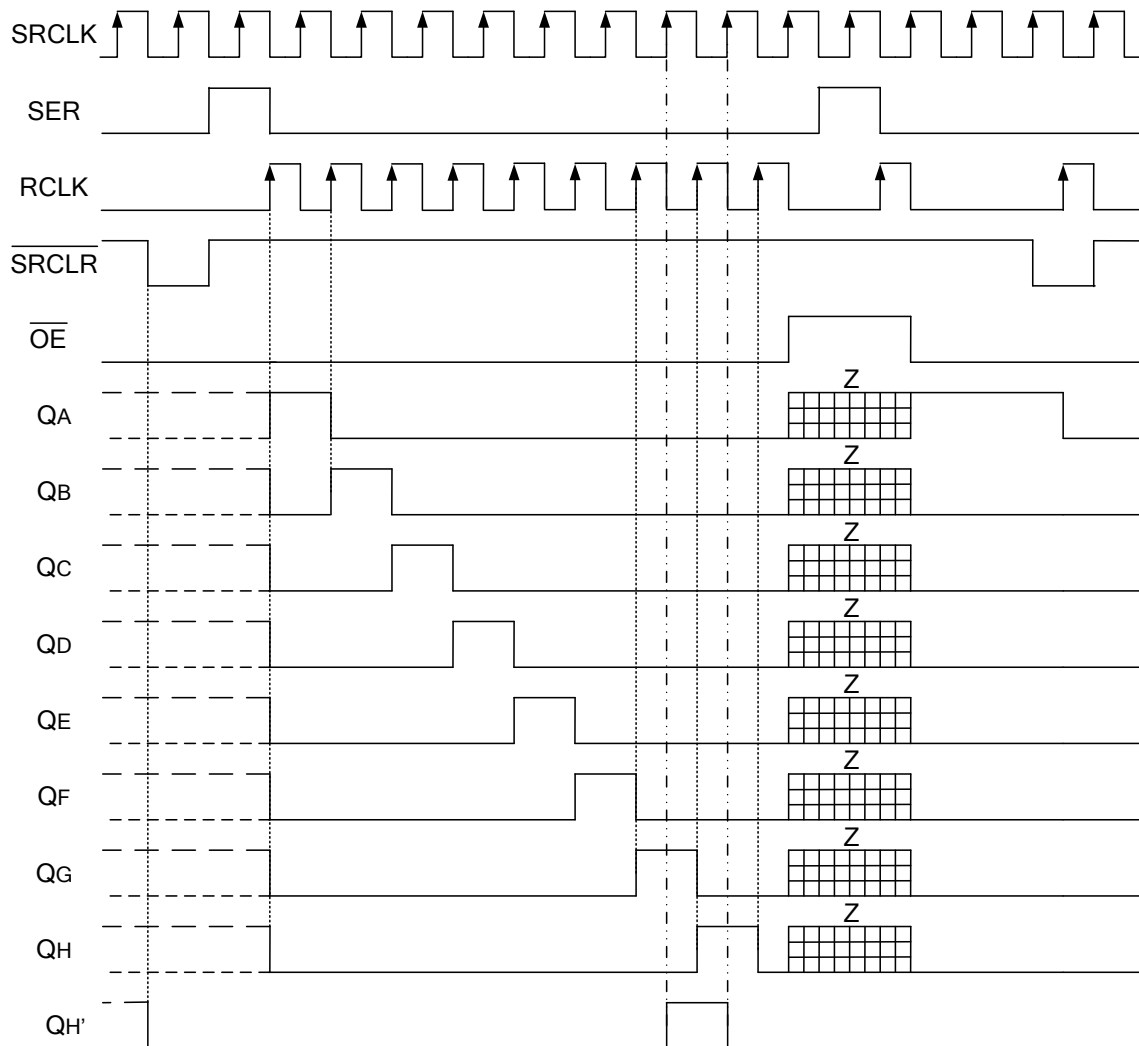
FUNCTION	INPUTS					OUTPUTS	
	SRCLK	RCLK	\overline{OE}	\overline{SRCLR}	SER	QH'	Qn
A Low-Level on \overline{SRCLR} only affects the shift registers.	X	X	L	L	X	L	NC
Empty shift register loaded into storage register.	X	↑	L	L	X	L	L
Shift register clear. Parallel outputs in high-impedance OFF-state	X	X	H	L	X	L	Z
Logic high level shifted into the first shift register. Contents of all shift register stages shifted through, e.g. previous state of stage G(internal QG') appears on the serial output(QH').	↑	X	L	H	H	QG'	NC
Contents of shift register stages (internal Qn') are transferred to the storage register and parallel output stages.	X	↑	L	H	X	NC	Qn'
Contents of shift register shifted through. Previous contents of the shift register is transferred to the storage register and the parallel output stages.	↑	↑	L	H	X	QG'	Qn'

Note:H : HIGH voltage level.
 L : LOW voltage level.
 X : Don't care.
 Z : High impedance OFF-state.
 NC: No change.
 ↑ : Low-to-High transition.
 ↓ : High-to-Low transition.

■ LOGIC DIAGRAM



■ TIMING DIAGRAM



■ ABSOLUTE MAXIMUM RATING (unless otherwise specified)(Note 2)

PARAMETER		SYMBOL	RATINGS	UNIT
Supply Voltage		V_{CC}	-0.5~7.0	V
Input Clamp Current ($V_{IN} < 0$)		I_{IK}	± 20	mA
Output Clamp Current ($V_{OUT} < 0$)		I_{OK}	± 20	mA
Output Current		I_{OUT}	± 35	mA
V_{CC} or GND Current		I_{CC}	± 75	mA
Power Dissipation	DIP-16	P_D	750	mW
	SOP-16		500	mW
	SOP-16N		550	mW
	SSOP-16		450	mW
	TSSOP-16			
Storage Temperature		T_{STG}	-65 ~ +150	°C

Notes: 1. Absolute maximum ratings are those values beyond which the device could be permanently damaged.

Absolute maximum ratings are stress ratings only and functional device operation is not implied.

2. The input and output voltage ratings may be exceeded if the input and output current ratings are observed.

■ RECOMMENDED OPERATING CONDITIONS

PARAMETER		SYMBOL	MIN	TYP	MAX	UNIT
Supply Voltage		V_{CC}	2		6	V
Input Voltage		V_{IN}	0		V_{CC}	V
Output Voltage		V_{OUT}	0		V_{CC}	V
Operating Temperature		T_A	-40		125	°C
Input Transition Rise or Fall Rate	$V_{CC}=2V$	$\Delta t/\Delta v$			1000	ns
	$V_{CC}=4.5V$				500	ns
	$V_{CC}=6V$				400	ns

■ ELECTRICAL CHARACTERISTICS

PARAMETER	SYMBOL	TEST CONDITIONS	MIN	TYP	MAX	UNIT
HIGH-level input voltage	V_{IH}	$V_{CC}=2V$	1.5			V
		$V_{CC}=3V$	2.1			V
		$V_{CC}=4.5V$	3.15			V
		$V_{CC}=6V$	4.2			V
LOW-level output voltage	V_{IL}	$V_{CC}=2V$			0.5	V
		$V_{CC}=3V$			0.9	V
		$V_{CC}=4.5V$			1.35	V
		$V_{CC}=6V$			1.8	V
High-Level Output Voltage, Q_A - Q_H	V_{OH}	$V_{CC}=2V, I_{OH}=-20\mu A$	1.9	2.0		V
		$V_{CC}=4.5V, I_{OH}=-20\mu A$	4.4	4.5		V
		$V_{CC}=6V, I_{OH}=-20\mu A$	5.9	6.0		V
		$V_{CC}=3V, I_{OH}=-2.4mA$	2.48			V
		$V_{CC}=4.5V, I_{OH}=-6mA$	3.98			V
		$V_{CC}=6V, I_{OH}=-7.8mA$	5.48			V
Low-Level Output Voltage, Q_A - Q_H	V_{OL}	$V_{CC}=2V, I_{OL}=20\mu A$		0.002	0.1	V
		$V_{CC}=4.5V, I_{OL}=20\mu A$		0.001	0.1	V
		$V_{CC}=6V, I_{OL}=20\mu A$		0.001	0.1	V
		$V_{CC}=3V, I_{OL}=2.4mA$			0.26	V
		$V_{CC}=4.5V, I_{OL}=6mA$			0.26	V
		$V_{CC}=6V, I_{OL}=7.8mA$			0.26	V
High-Level Output Voltage, Q_H	V_{OH}	$V_{CC}=2V, I_{OH}=-20\mu A$	1.9	2.0		V
		$V_{CC}=4.5V, I_{OH}=-20\mu A$	4.4	4.5		V
		$V_{CC}=6V, I_{OH}=-20\mu A$	5.9	6.0		V
		$V_{CC}=3V, I_{OH}=-2.4mA$	2.48			V
		$V_{CC}=4.5V, I_{OH}=-4mA$	3.98			V
		$V_{CC}=6V, I_{OH}=-5.2mA$	5.48			V
Low-Level Output Voltage, Q_H	V_{OL}	$V_{CC}=2V, I_{OL}=20\mu A$		0.002	0.1	V
		$V_{CC}=4.5V, I_{OL}=20\mu A$		0.001	0.1	V
		$V_{CC}=6V, I_{OL}=20\mu A$		0.001	0.1	V
		$V_{CC}=3V, I_{OL}=2.4mA$			0.26	V
		$V_{CC}=4.5V, I_{OL}=4mA$			0.26	V
		$V_{CC}=6V, I_{OL}=5.2mA$			0.26	V
Input Leakage Current	$I_{I(LEAK)}$	$V_{CC}=6V, V_{IN}=V_{CC}$ or GND			± 0.1	μA
Output OFF -state current	I_{OZ}	$V_{CC}=6V, V_{OUT}=V_{CC}$ or GND			± 0.5	μA
Quiescent Supply Current	I_{CC}	$V_{CC}=6V, V_{IN}=V_{CC}$ or GND, $I_{OUT}=0$			4	μA
Input Capacitance	C_{IN}	$V_{CC}=6V, V_{IN}=V_{CC}$ or GND			10	pF

■ DYNAMIC CHARACTERISTICS

PARAMETER	SYMBOL	TEST CONDITIONS	MIN	TYP	MAX	UNIT	
Maximum clock pulse frequency	f_{max}	$C_L=50pF$	$V_{CC}=2V$	6	26		MHz
			$V_{CC}=4.5V$	30	38		MHz
			$V_{CC}=6V$	35	42		MHz
Propagation delay from input (SRCLK) to output (Q_H)	t_{PD}	$C_L=50pF$	$V_{CC}=2V$		50	140	ns
			$V_{CC}=4.5V$		17	28	ns
			$V_{CC}=6V$		14	24	ns
Propagation delay from input (RCLK) to output (Q_A-Q_H)	t_{PD}	$C_L=50pF$	$V_{CC}=2V$		50	140	ns
			$V_{CC}=4.5V$		17	28	ns
			$V_{CC}=6V$		14	24	ns
		$C_L=150pF$	$V_{CC}=2V$		60	200	ns
			$V_{CC}=4.5V$		22	40	ns
			$V_{CC}=6V$		19	34	ns
Propagation delay from input (SRCLR) to output (Q_H)	t_{PHL}	$C_L=50pF$	$V_{CC}=2V$		51	145	ns
			$V_{CC}=4.5V$		18	29	ns
			$V_{CC}=6V$		15	25	ns
Propagation delay from input (\overline{OE}) to output (Q_A-Q_H)	t_{en}	$C_L=50pF$	$V_{CC}=2V$		40	135	ns
			$V_{CC}=4.5V$		15	27	ns
			$V_{CC}=6V$		13	23	ns
		$C_L=150pF$	$V_{CC}=2V$		70	200	ns
			$V_{CC}=4.5V$		23	40	ns
			$V_{CC}=6V$		19	34	ns
Propagation delay from input (\overline{OE}) to output (Q_A-Q_H)	t_{dis}	$C_L=50pF$	$V_{CC}=2V$		42	150	ns
			$V_{CC}=4.5V$		23	30	ns
			$V_{CC}=6V$		20	26	ns
Propagation delay to output (Q_A-Q_H)	t_t	$C_L=50pF$	$V_{CC}=2V$		28	60	ns
			$V_{CC}=4.5V$		8	12	ns
			$V_{CC}=6V$		6	10	ns
		$C_L=150pF$	$V_{CC}=2V$		45	210	ns
			$V_{CC}=4.5V$		17	42	ns
			$V_{CC}=6V$		13	36	ns
Propagation delay to output (Q_H)	t_t	$C_L=50pF$	$V_{CC}=2V$		28	75	ns
			$V_{CC}=4.5V$		8	15	ns
			$V_{CC}=6V$		6	13	ns

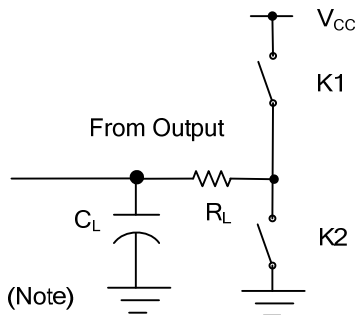
■ TIMING REQUIREMENTS (T_A=25°C, unless otherwise specified)

PARAMETER	SYMBOL	TEST CONDITIONS	MIN	TYP	MAX	UNIT
Pulse duration, SRCLK or RCLK high or low	t _w	V _{CC} =2V	80			ns
		V _{CC} =4.5V	16			ns
		V _{CC} =6V	14			ns
Pulse duration, $\overline{\text{SRCLR}}$ Low		V _{CC} =2V	80			ns
		V _{CC} =4.5V	16			ns
		V _{CC} =6V	14			ns
Setup Time, SER before SRCLK↑	t _{su}	V _{CC} =2V	100			ns
		V _{CC} =4.5V	20			ns
		V _{CC} =6V	17			ns
Setup Time, SRCLK↑ before RCLK↑		V _{CC} =2V	75			ns
		V _{CC} =4.5V	15			ns
		V _{CC} =6V	13			ns
Setup Time, $\overline{\text{SRCLR}}$ low before RCLK↑		V _{CC} =2V	50			ns
		V _{CC} =4.5V	10			ns
		V _{CC} =6V	9			ns
Setup Time, $\overline{\text{SRCLR}}$ high (inactive) before SRCLK↑		V _{CC} =2V	50			ns
		V _{CC} =4.5V	10			ns
		V _{CC} =6V	9			ns
Hold Time, SER after SRCLK↑	t _h	V _{CC} =2V	3			ns
		V _{CC} =4.5V	3			ns
		V _{CC} =6V	3			ns

■ OPERATING CHARACTERISTIC

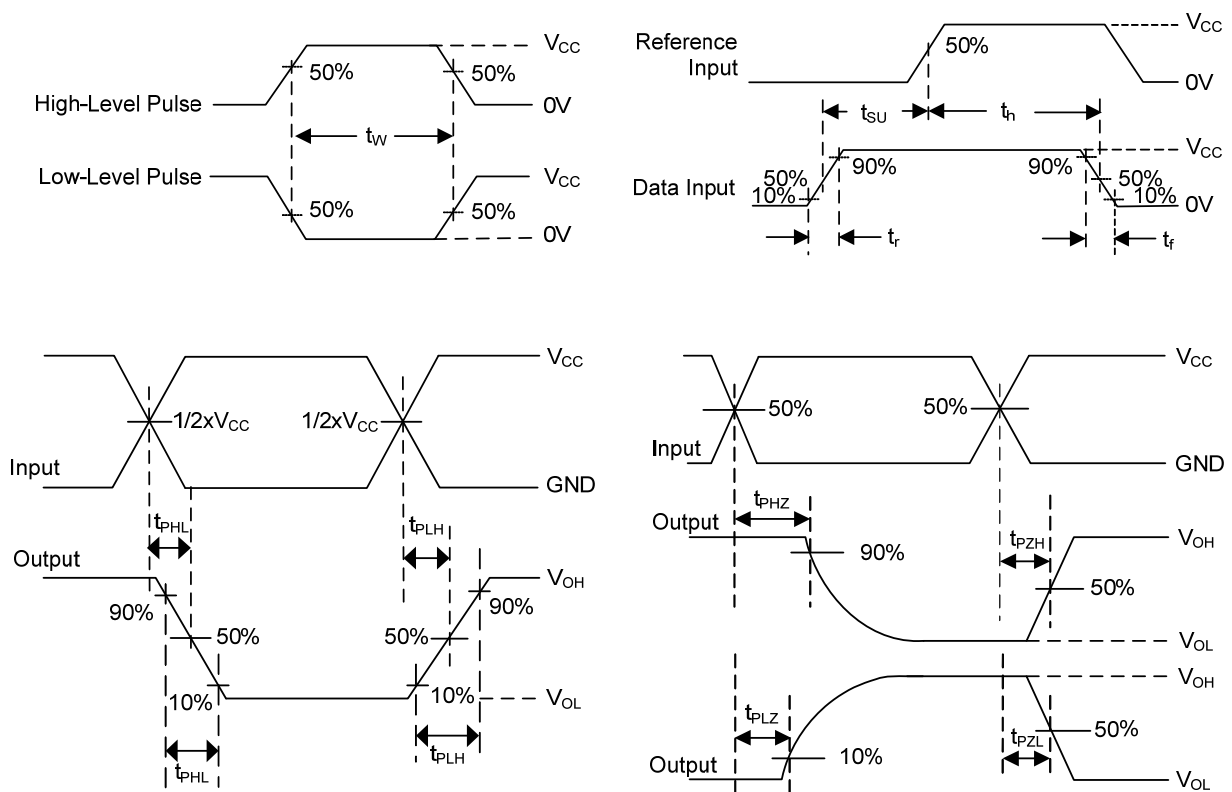
PARAMETER	SYMBOL	TEST CONDITIONS	MIN	TYP	MAX	UNIT
Power Dissipation Capacitance	C _{PD}	No load		400		pF

TEST CIRCUIT AND WAVEFORMS



TEST	K1	K2
t_{PLH}/t_{PHL}	Open	Open
t_{PHZ}/t_{PZH}	Open	Close
t_{PLZ}/t_{PZL}	Close	Open

Note: C_L includes probe and jig capacitance. $C_L=50pF$, $R_L=1K\Omega$



UTC assumes no responsibility for equipment failures that result from using products at values that exceed, even momentarily, rated values (such as maximum ratings, operating condition ranges, or other parameters) listed in products specifications of any and all UTC products described or contained herein. UTC products are not designed for use in life support appliances, devices or systems where malfunction of these products can be reasonably expected to result in personal injury. Reproduction in whole or in part is prohibited without the prior written consent of the copyright owner. UTC reserves the right to make changes to information published in this document, including without limitation specifications and product descriptions, at any time and without notice. This document supersedes and replaces all information supplied prior to the publication hereof.