

# Specification

**Lithium Polymer Battery Pack (LP584070) 1500mAh 3.7V with Protection Circuit Module (PCM)**  
 This data sheet describes the requirements and properties of lithium polymer rechargeable battery pack manufactured by Cellevia

### Mechanical Characteristics

Type number: LP584070  
 Designation IEC system: Lithium polymer battery pack  
 Length:  $70 \pm 0.4\text{mm}$   
 Width:  $40 \pm 0.4\text{mm}$   
 Thickness:  $5.8 \pm 0.2\text{mm}$   
 Cable:  $150 \pm 3.0\text{mm}$  (26AWG UL 1007)  
 Weight: appr. 30.0g  
 Connector: JST 2.54 male & female connectors

### Electrical Specification

Rated capacity: 1480mAh min, 1500mAh typ.  
 Nominal voltage: 3.7V  
 Max. operating voltage range: 3.0V to 4.2V  
 Charge voltage:  $4.2 \pm 50\text{mV}$   
 Initial charge current: Standard charge: 750mA  
 Rapid charge: 1500mA  
 Charging cut-off (A or B)  
 A) By time: Standard charge: 7 hours  
 Rapid charge: 4 hours  
 B) By min. current: 30.0mA  
 Max continuous discharge current: 1500mA  
 Exp. cycle life: >500 cycles >70% of initial cap. (0.5C/0.5C)  
 Internal impedance (1kHz): approx 43mOhm  
 Cell protection  
 Overcharge detection:  $4.325 \pm 25\text{mV}$   
 (0.5 to 2.0 sec. delay, resume  $4.075 \pm 50\text{mV}$ )  
 Overdischarge detection:  $3.00\text{V} \pm 25\text{mV}$   
 (6.25 to 250msec. delay, resume  $2.9\text{V} \pm 100\text{mV}$ )

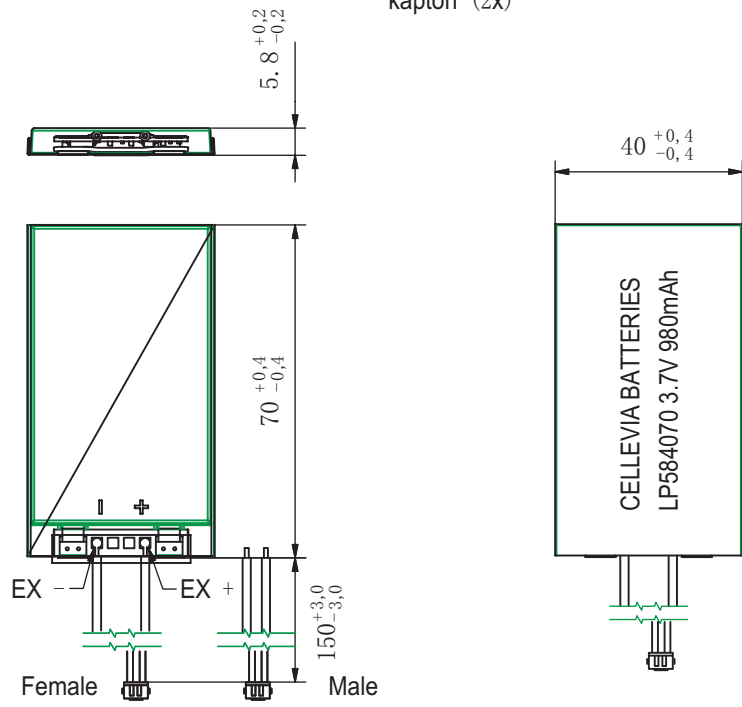
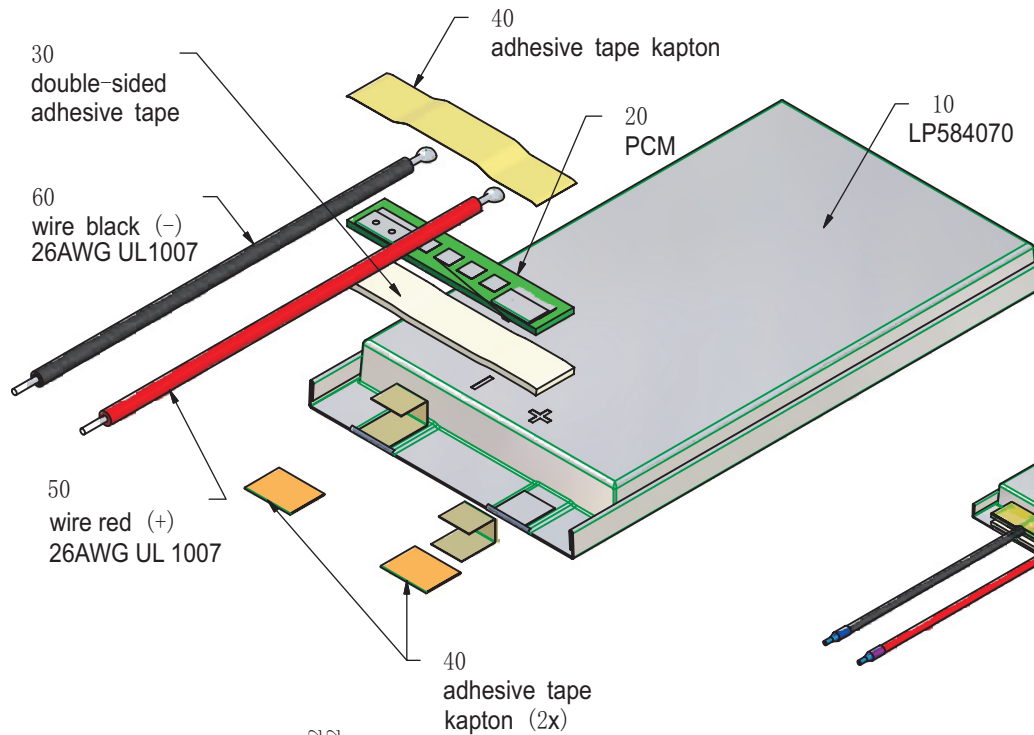
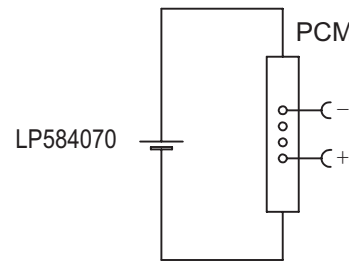
### Ambient conditions

Temperature range  
 Charge: 0 to +45°C  
 Discharge: -20 to +60°C  
 Charge retention/Storage: 1 year at -20 to 20°C >70%  
 3 month at -20 to 45°C >70%  
 1 month at -20 to 60°C >70%

### Safety

Please follow handling and Safety Precautions Poliflex.

### Circuit diagram



Index	Alteration		Date	Name
Projection:				
Diese Mae werden besonders geprüf This dimensions are considered inspectable		Material: 6645175 6819		
Mae in mm	Freimatoleranzen	Date	Name	
All dimensions in mm	Generaltolerances	Erst./Orig.	12.08.2013	Xie Qingfang
Als Betriebsgeheimnis anvertraut, alle Rechte vorbehalten.	up to 6	· 0,1	Gepr./Check.	12.08.2013
	over 6 up to 30	· 0,2	Guo Daxia	
Proprietary data, company confidential, all rights reserved.	over 30 up to 100	· 0,3	Benennung/Designation	
	over 100	· 0,5	LP584070	
	Origin:		Zchnng. / Dwg. Nr.	index
		3	FD_2566_13	

