

1

2

3

4

A

A

B

B

C

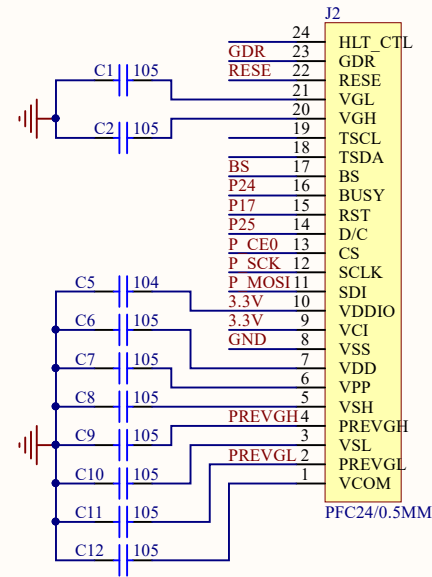
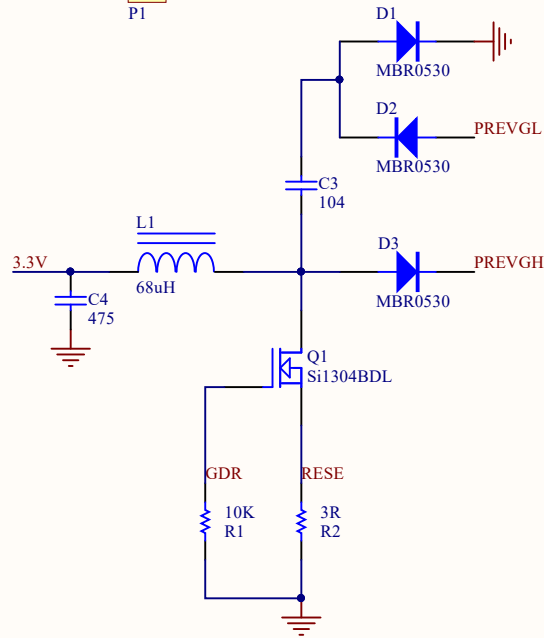
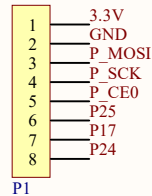
C

D

D



	VCC	GND
BS	3-line SPI	4-line SPI



Comment	Description	Designator	Footprint	LibRef	Quantity
C_0603	Capacitor	C1, C2, C3, C4, C5, C6, C7, C8, C9, C10, C11, C12	0603	C_0603	12
MBR0530	Diode	D1, D2, D3	SMA(DO-214AC)	DIODE	3
CON3	Connector	J1	0603_3JMP	CON3	1
PFC24/0.5MM	Connector	J2	24PIN ZZ	CON24	1
68uH		L1	inductance	Inductance	1
waveshare_logo		logo1	WS_symbol_L	waveshare_logo	1
Header 8	Header, 8-Pin	P1	XH_SMD_8	Header 8	1
Si1304BDL		Q1	SOT-23(SC70)	MOSFET N	1
R_0603	Resistor	R1, R2	0603	R_0603	2